

**Saeco** SUP038  
INTERNATIONAL GROUP SUP038Z

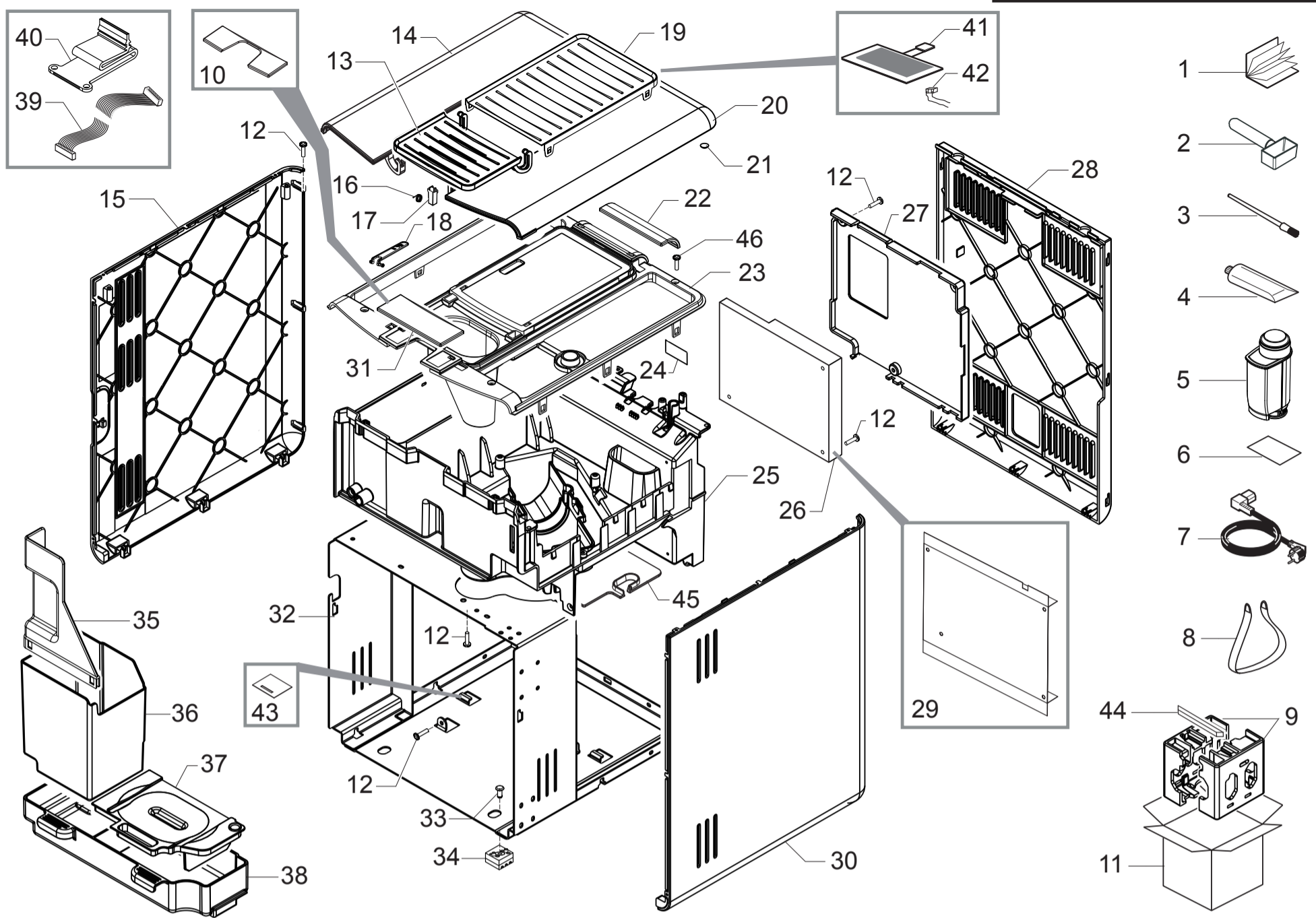
RI9943/11-21-41-43  
RI9944/01-04-41-43  
RI9946/01-47



Cod.10003050-51-52-53-3250-51-52  
Cod.10003278-79-3314-3450-70-71  
Cod.10003501-3663-3730-31-32-33

POS	CODE	12NC	DESCRIPTION	NOTE
01	15002162	996530009411	MANUAL V2 SAE SUP038 MYB9/H D/I	
	15002163	996530009412	MANUAL V2 SAE SUP038 MYB9/H GB/F	
	15002164	996530009413	MANUAL V2 SAE SUP038 MYB9/H E/P	
	15002165	996530009414	MANUAL V2 SAE SUP038 MYB9/H NL/PL	
	15002166	996530066721	MANUAL V2 SAE SUP038 MYB9/H CHN	
	15001810	996530009297	MANUAL SAE SUP038Z MYB9/T D/I	ID
	15001811	996530009298	MANUAL SAE SUP038Z MYB9/T GB/F	ID
	15001812	996530009299	MANUAL SAE SUP038Z MYB9/T E/P	ID
	15001813	996530009301	MANUAL SAE SUP038Z MYB9/T NL/PL	ID
	15002167	996530068484	MANUAL V2 SAE SUP038 MYB9/H BRA GB	
	15002723	996530068485	MANUAL V2 SAE SUP038 MYB9/H PT/BRA	
02	146680850	996530016529	BLACK COFFEE MEASURE SMART	
03	127390100	996530011867	BRUSH FOR CLEANING	
04	11028379	996530070318	PSA KLUBER TRIBOSTAR SIL 2 TUBE 5GR.	
05	21002051	996530071783	ACC PSA MAVEA WATER FILTER 1UNIT	USA-BRA
06	0301.961	996530039604	STICKER FOR WATER HARDNESS TEST	
07	183911050	996530025808	BLACK POWER CABLE SCHUKO L=1200	
	183930650	996530025858	POWER CABLE CH BLACK 3X1 H05VV-F L=1200	
	183921950	996530025843	POWER CABLE SJT3 USA BLACK UL L=1200	
	183940650	996530025872	BLACK POWER CABLE AUSTRALIA L=1200	
	11001985	996530001089	BLACK POWER CABLE KOREA L=1200	
	11004246	996530002166	BLACK POWER CABLE TAIWAN HVCTF L=1200	
	11004247	996530002167	BLACK POWER CABLE RVV 3X1 CHINA L=1200	
	17800024	996530009632	BLACK POWER CABLE JAPPON VCTF L=1200MM	
	17800019	996530009627	BLACK POWER CABLE BRAZIL L=1200	220V
	17800330	996530069926	BLACK POWER CABLE BRAZIL L=1200	127V
08	13001097	996530008404	BAND FOR LIFTING L=1800MM H=300MM	
09	20006891	996530067538	KIT PS-E INSERT FOR BOX MYB9	
10	11022804	996530007446	SM/SS FRONT COVER CASING INS.MYB9/T ASSY	ID
11	13000920	996530008348	DISPLAY BOX MYB9/H SAE XELSIS SS	
	13001110	996530008408	DISPLAY BOX MYB9/H SAE XELSIS CLASS	
	13001112	996530008411	DISPLAY BOX MYB9/T SAE XELSIS ID SS	ID
12	12000450	996530007819	SCREW TCBR TORX 10 3,5X12 PLAST.ZN-N	
13	11013210	996530006691	SB/SS GROUND CONT.DOOR COVER S/S.MYB9 AS	
	11025978	996530072657	SB/SS GROUND CONT.DOOR COVER S/S.MYB9 AS	
	11023203	996530007597	SM/SS GROUND CONT.DOOR COVER S/S.MYB9 AS	ID

POS	CODE	12NC	DESCRIPTION	NOTE
14	11013148	996530006653	SB/SS WATER CONTAIN.DOOR COVER MYB9 ASSY	
			<b>UP TO S/N. TU901227104140</b>	
	11029403	996530072665	SB/SS WATER CONT.DOOR COVER V2 MYB9 ASSY	
			<b>FROM S/N TU901227104141</b>	
	11029406	996530072983	BLACK WATER CONT.DOOR COVER V2 MYB9 ASSY	
	11029404	996530072937	WHITE WATER CONT.DOOR COVER V2 MYB9 ASSY	
	11023196	996530007595	SM/SS WATER CONTAIN.DOOR COVER MYB9 ASSY	ID
15	17000101	996530070341	SB/SS LEFT SIDE PANEL V2 MYB9/H-T ASSY.	
			<b>UP TO S/N. TU901227104140</b>	
	11028790	996530072664	SB/SS LEFT SIDE PANEL V2 MYB9/H-T ASSY.	
			<b>FROM S/N TU901227104141</b>	
	11024524	996530070337	BLACK LEFT SIDE PANEL V2 MYB9/H-T ASSY.	
	11024523	996530070334	WHITE LEFT SIDE PANEL V2 MYB9/H-T ASSY.	
	11024522	996530070338	SM/SS LEFT SIDE PANEL V2 MYB9/H-T ASSY.	ID
16	11022426	996530007365	SS SPRING FOR WATER CONTAINER LEVER MYB9	
17	12001263	996530008019	BLACK PUSH-PUSH MYB9	
18	11022425	996530007364	YELLOW LEVER FOR WATER CONTAIN.S/SC.MYB9	
19	11012859	996530006558	SB/SS CUP WARMING LID MYB9	
			<b>UP TO S/N. 9010SA40026758</b>	
	17000071	996530066728	SB/SS CUP WARMING LID MYB9 ASSY.	
			<b>FROM S/N.9010SA40026759 TO S/N. 9010SA40120165</b>	
	17000059	996530067839	SB/SS CUP WARMING LID V2 MYB9	
			<b>FROM S/N 9010SA40120165 TO S/N. TU901227104140</b>	
	11025965	996530072656	SB/SS CUP WARMING LID V2 MYB9	
			<b>FROM S/N TU901227104141</b>	
	20007063	996530071497	KIT BLK CUP WARMING+CASING COVER V2 MYB9	ID
			<b>UP TO S/N 9010SA40120165</b>	
	11024245	996530070333	SM/SS CUP WARMING LID V2 MYB9	ID
			<b>FROM S/N 9010SA40120166</b>	
20	11013149	996530006654	SB/SS BEAN CONTAIN.DOOR COVER MYB9 ASSY.	
			<b>UP TO S/N. TU901227104140</b>	
	11029385	996530072661	SB/SS BEAN CONT.DOOR COVER V2 MYB9 ASSY.	
			<b>FROM S/N TU901227104141</b>	
	11029388	996530072981	BLACK BEAN CONT.DOOR COVER V2 MYB9 ASSY.	
	11029386	996530072982	WHITE BEAN CONT.DOOR COVER V2 MYB9 ASSY.	
	11023198	996530007596	SM/SS BEAN CONTAIN.DOOR COVER MYB9 ASSY.	ID
21	12001330	996530008026	TRANSP.ROUND ADHESIVE FOOT SJ-5382	



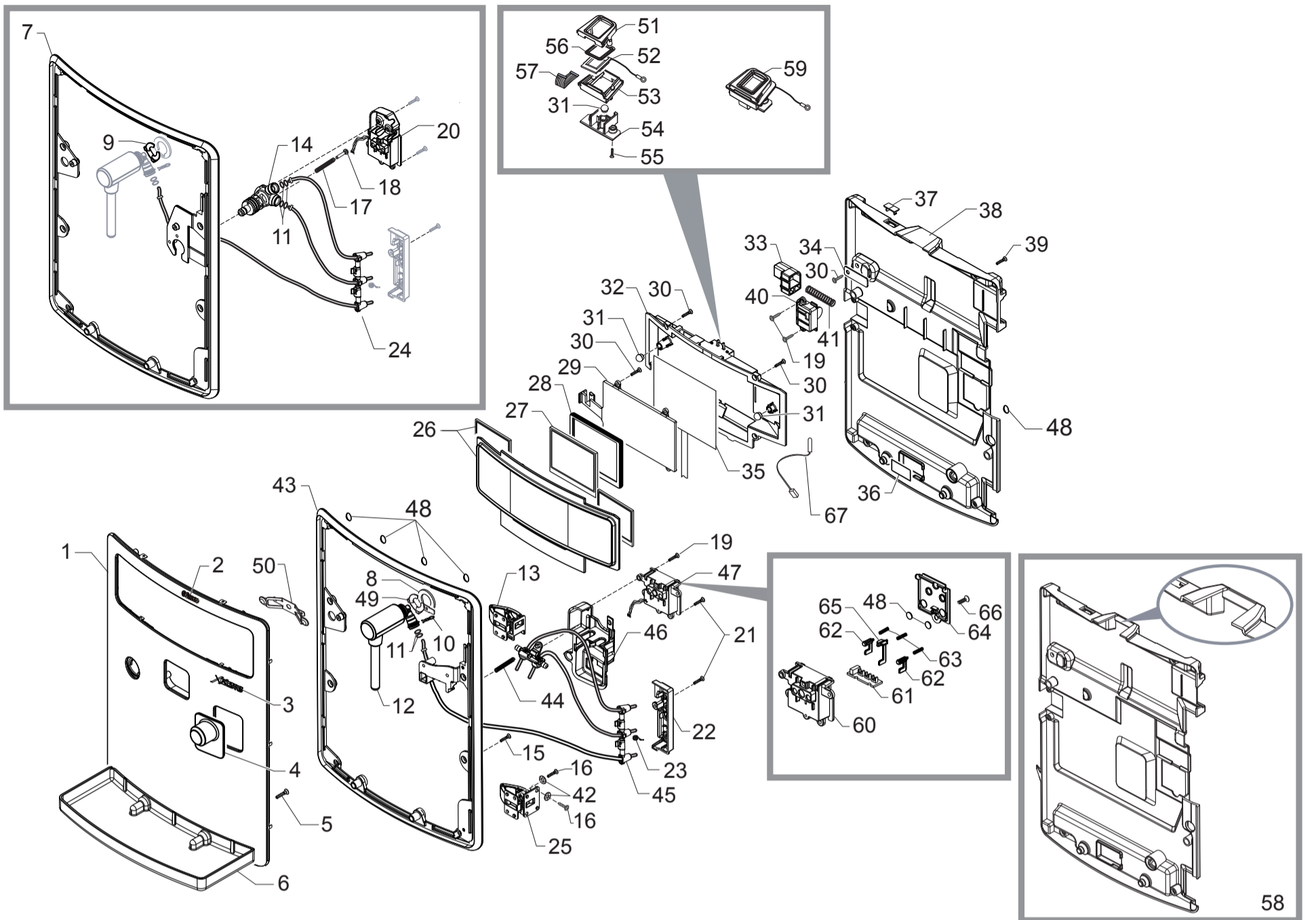
**Saeco** SUP038  
INTERNATIONAL GROUP SUP038Z

RI9943/11-21-41-43  
RI9944/01-04-41-43  
RI9946/01-47



Cod.10003050-51-52-53-3250-51-52  
Cod.10003278-79-3314-3450-70-71  
Cod.10003501-3663-3730-31-32-33

POS	CODE	12NC	DESCRIPTION	NOTE	POS	CODE	12NC	DESCRIPTION	NOTE
22	11022809	996530007452	SB/SS REAR COVER CASING INSERT MYB9 ASSY <b>UP TO S/N. TU901227104140</b>		41	WGA4316031000	996530063553	ADHESIVE HEATING-ELEMENT 230V	230V
	11025964	996530072663	SB/SS REAR COVER CASING INSERT MYB9 ASSY <b>FROM S/N TU901227104141</b>			11000791	996530000503	ADHESIVE HEATING-ELEMENT 120V	100V-120V
	11022821	996530007454	BLK REAR COVER CASING INSERT MYB9 ASSY.		42	11008844	996530005056	2POLES CONNECT.SUPPLY CUPWARMING G0053UL	
	11022820	996530007453	WHT REAR COVER CASING INSERT MYB9 ASSY.		43	17000007	996530066726	COMPONENTS SUPPORT INSULATE SHEET MYB9	ONLY 120V
	11023105	996530007582	SM/SS REAR COVER CASING INSERT MYB9 ASSY	ID	44	13001231	996530008429	PS-E INSERT FOR BOX MYB9	
23	17000205	996530066735	BLACK COVER CASING W/PROTECT.V2 MYB9/H-T		45	17000420	996530067881	BLACK SLIM BOILER PROTECTION MYB9	WITH BOILER SLIM
24	11003232	996530001522	AS.CPU+SW WATER LEVEL SENSOR V2		46	12001728	996530070321	SCREW TCBR TORX 10 3,5X12 PLAST.SS	
25	11014017	996530006969	BLACK HORIZONTAL MOUNTING PLATE MYB9 ASS						
26	11024263	996530067506	PWR BOARD MDS 230V	230V					
	11021342	996530007079	PWR BOARD MYB9/MDS 120V	120V					
27	11012035	996530006299	BLACK PWR BOARD COVER MYB9						
28	17000123	996530067922	BLACK REAR PANEL WHIT LOGO SAECO V2 MYB9						
29	11023304	996530007613	PWR ELECTR.BOARD INSULATE SHEET MYB9	ONLY 120V					
30	17000102	996530070339	SB/SS RIGHT SIDE PANEL V2 MYB9/H-T ASSY. <b>UP TO S/N. TU901227104140</b>						
	11028791	996530072662	SB/SS RIGHT SIDE PANEL V2 MYB9/H-T ASSY. <b>FROM S/N TU901227104141</b>						
	11024520	996530070336	BLACK RIGHT SIDE PANEL V2 MYB9/H-T ASSY.						
	11024509	996530070335	WHITE RIGHT SIDE PANEL V2 MYB9/H-T ASSY.						
	11024508	996530070231	SM/SS RIGHT SIDE PANEL V2 MYB9/H-T ASSY.	ID					
31	11022805	996530007447	SB/SS FRONT COVER CASING INS.MYB9/H-P AS <b>UP TO S/N. TU901227104140</b>						
	11025962	996530072659	SB/SS FRONT COVER CASING INS.MYB9/H-P AS <b>FROM S/N TU901227104141</b>						
	11022807	996530007449	BLK FRONT COVER CASING INS.MYB9/H-P ASSY						
	11022806	996530007448	WHT FRONT COVER CASING INS.MYB9/H-P ASSY						
32	11013170	996530006676	BLACK STEEL CASING MYB9 ASSY.						
33	11021769	996530007136	BLACK RIGID FOOT FIXING PIN MYB9						
34	11021829	996530007156	BLACK/TRANSP.RIGID FOOT MYB9						
35	11022527	996530007397	BLACK DUMP BOX PROTECTION MYB9						
36	11013595	996530006815	BLACK DUMP BOX MYB9 ASSY.						
37	11022169	996530007247	BLK DRIP TRAY COFF.BREW UNIT COVER MYB9						
38	17001901	996530071992	BLACK COFFEE UNIT DRIP TRAY V2 MYB9						
39	11013128	996530006642	40POLES FLAT CABLE BOARDS LINK MYB9 UL						
40	11013806	996530006864	BLACK FLAT-CABLE PROTECTION MYB9						



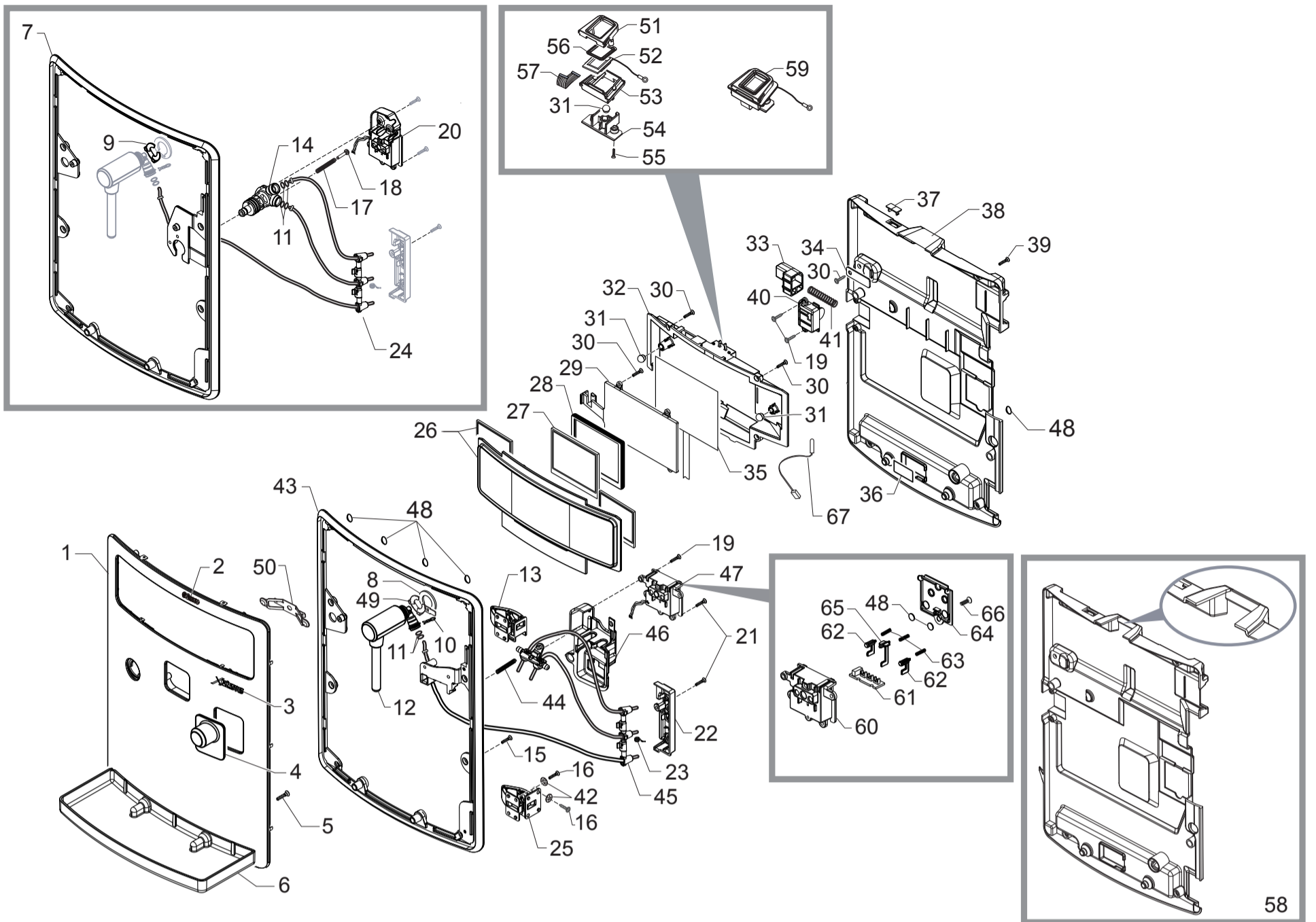
**Saeco** SUP038  
INTERNATIONAL GROUP SUP038Z

RI9943/11-21-41-43  
RI9944/01-04-41-43  
RI9946/01-47



Cod.10003050-51-52-53-3250-51-52  
Cod.10003278-79-3314-3450-70-71  
Cod.10003501-3663-3730-31-32-33

POS	CODE	12NC	DESCRIPTION	NOTE	POS	CODE	12NC	DESCRIPTION	NOTE
01	11022728	996530007422	SB/SS FRONTAL PANEL MYB9 ASSY. <b>UP TO S/N.9009SA40298916</b>		16	129573221	996530012922	SCREW TCB PH/TT 4X8 UNI 8112 SS	
	11023318	996530007614	SB/SS FRONT PANEL V2 MYB9 ASSY. <b>FROM S/N.9009SA40298917 TO S/N. TU901227104140</b>		17	11022870	996530007476	STEEL SPRING FOR CARAFE CONNECTOR MYB9 <b>UP TO S/N.9009SA40298916</b>	
	11025938	996530072976	SB/SS FRONT PANEL V2 N/S/SCR.MYB9 ASSY. <b>FROM S/N TU901227104141</b>		18	11022853	996530007466	BRASS INSERT FOR SPRING CARAFE CONN.MYB9 <b>UP TO S/N.9009SA40298916</b>	
	11013277	996530006719	BLACK FRONT PANEL N/S/SCREEN MYB9 ASSY. <b>UP TO S/N.9009SA40298916</b>		19	12000450	996530007819	SCREW TCB TORX 10 3,5X12 PLAST.ZN-N	
	11023522	996530007634	BLK FRONTAL PANEL V2 S/SCREEN MYB9 ASSY. <b>FROM S/N.9009SA40298917</b>		20	11014015	996530006967	BLK CARAFE BOARD SUPPORT GEN.MYB9 ASSY. <b>UP TO S/N.9009SA40298916</b>	
	11013298	996530006732	WHITE FRONT PANEL N/S/SCREEN MYB9 ASSY. <b>UP TO S/N.9009SA40298916</b>		21	12001431	996530008052	SCREW TCB TORX 10 3X12 PLAST.SS	
	11023523	996530007635	WHT FRONTAL PANEL V2 S/SCREEN MYB9 ASSY. <b>FROM S/N.9009SA40298917</b>		22	11013784	996530006855	BLACK TEFLON TUBES SUPPORT COVER MYB9	
	11023319	996530007615	SM/SS FRONTAL PANEL V2 MYB9 ASSY.	ID	23	11013785	996530006856	STEEL TEFLON TUBES SUPPORT SPRING MYB9	
02	11011406	996530006054	ADHES.SILVER PLATE LOGO SAECO P0057		24	11021692	996530007111	PREFORMED TEFLON TUBES SUPPORT MYB9 ASSY <b>UP TO S/N.9009SA40298916</b>	
03	11022725	996530007418	ADHES.SILVER PLATE LOGO XELSIS		25	11013216	996530006695	DOOR LOWER HINGE MYB9	
04	11021449	996530007103	CHROM.CONNECT.CAP FOR CARAFE MYB9 ASSY. <b>UP TO S/N.9009SA40298916</b>		26	20006820	996530010248	KIT SPARES FRONT PLATE DISPLAY MYB9/H-T	
	11024247	996530066715	CHROM.CONNEC.CAP FOR CARAFE V2 MYB9 ASSY <b>FROM S/N.9009SA40298917</b>		27	12001261	996530008018	DISPLAY 320x240 NO TOUCH BRIGHTNESS+MYB9	
05	12001369	996530008039	SCREW TSP TORX 10 5X35 PLAST.SS		28	11013226	996530006702	BLACK DISPLAY SEAL MYB9/H-T	
06	17000215	996530070073	BLACK DRIP TRAY SUPPORT V2 MYB9/H-P ASSY		29	11012889	996530006568	BLACK DISPLAY SUPPORT MYB9/H-T	
	17000223	996530070223	BLACK DRIP TRAY SUPPORT V2 MYB9/T ASSY.		30	129913202	996530013156	SCREW TCB TORX 10 3X8 PLAST.ZN-B	
07	11013143	996530006649	CHROM.ZAMA FRONT FRAME MYB9 <b>UP TO S/N.9009SA40298916</b>		31	149450588	996530018311	65SH SILICONE BOILER SEALING VALVE	
08	11001624	996530000929	BLACK STEAM TUBE WASHER P0049		32	11012377	996530006381	BLACK CPU BOARD COVER MYB9/H-T <b>UP TO S/N.9009SA40298916</b>	
09	NF11.084	996530059199	PHOSPH/STEEL FOLK SPRING <b>UP TO S/N.9010SA40036480</b>			17000014	996530009564	BLACK CPU BOARD COVER V2 MYB9/H-T <b>FROM S/N.9009SA40298917</b>	
10	9011.144	996530048885	SS FORK FOR TUBE D=4		33	11014215	996530007042	BLACK BUTTON FOR DOOR RELEASE MYB9	
11	140328059	996530013564	OR 2015 SILICONE PTFE/FDA <b>UP TO S/N.9009SA40298916</b>		34	11021976	996530007207	STEEL PLATE FOR DOOR CLOSURE MYB9	
12	11013244	996530006708	TF/CHROM.- CHROM.STEAM TUBE MYB9 ASSY.		35	11024441	996530067552	CPU+SW MYB9/H PSA ASSY. <b>UP TO S/N TU901150186483</b>	
13	11013215	996530006694	DOOR UPPER HINGE MYB9			11026862	996530070332	CPU+SW MYB9/H SLIM ASSY. <b>FROM S/N TU901150186484</b>	ID
14	11022860	996530007469	BLACK CONNECTOR V2 FOR CARAFE MYB9 <b>UP TO S/N.9009SA40298916</b>			11024443	996530067563	CPU+SW MYB9/T PSA ASSY. <b>UP TO S/N TU901150186483</b>	
15	12001430	996530008051	SCREW TCB TORX 20 4X10 PLAST.SS			11026860	996530070331	CPU+SW MYB9/T SLIM ASSY. <b>FROM S/N TU901150186484</b>	ID
					36	11000651	996530000425	WATER LEVEL SENSOR BOARD P124	
					37	11001339	996530000763	TRANSP.INFRAREDS PLATE P0049	



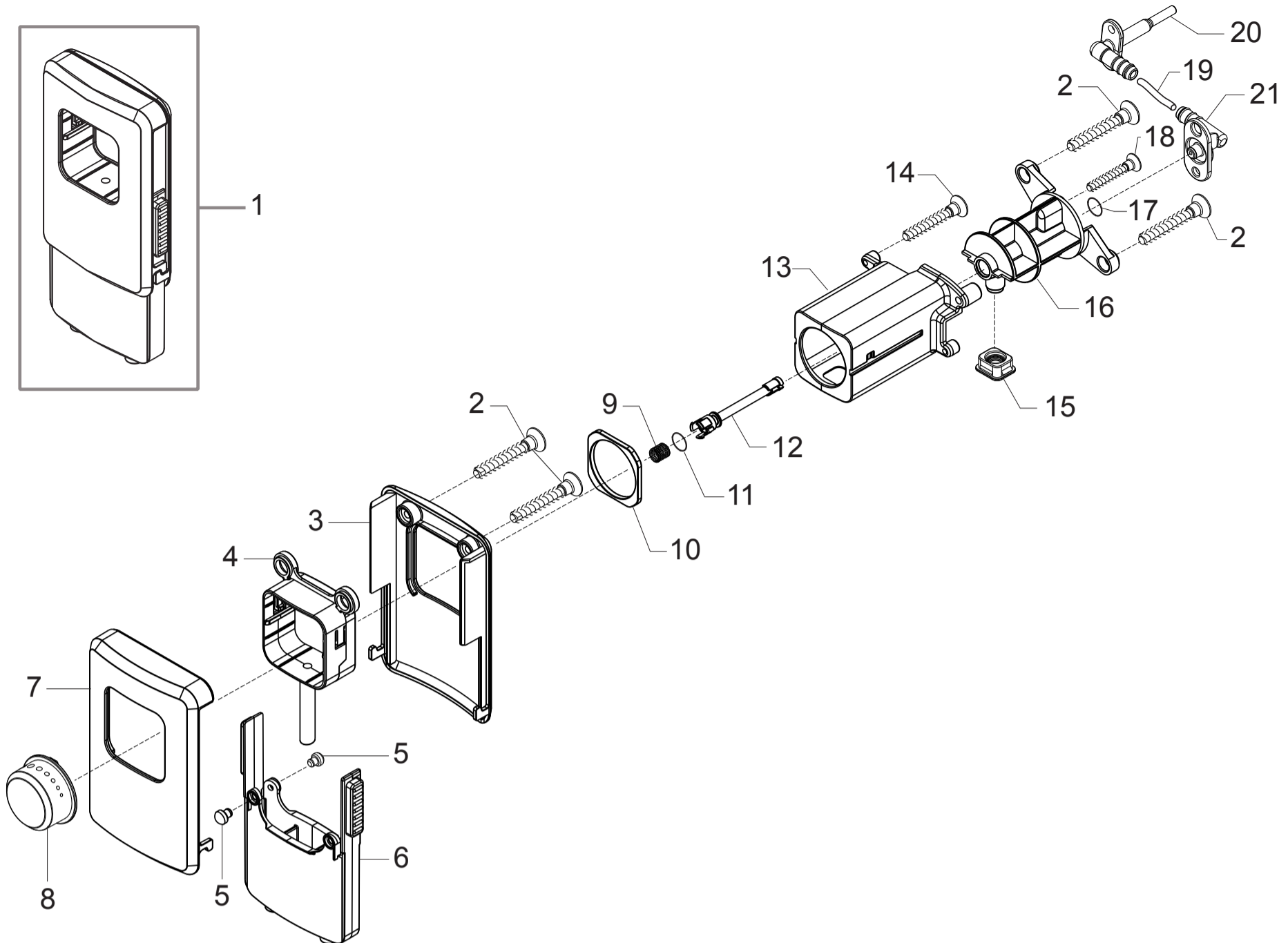
**Saeco** SUP038  
INTERNATIONAL GROUP SUP038Z

RI9943/11-21-41-43  
RI9944/01-04-41-43  
RI9946/01-47



Cod.10003050-51-52-53-3250-51-52  
Cod.10003278-79-3314-3450-70-71  
Cod.10003501-3663-3730-31-32-33

POS	CODE	12NC	DESCRIPTION	NOTE	POS	CODE	12NC	DESCRIPTION	NOTE
38	11022583	996530007412	BLK INSIDE COVER FRON.PANEL S/SCR.MYB9/H <b>UP TO S/N.9009SA40298916</b>		64	11013328	996530006745	BLACK CARAFFE BOARD COVER MYB9	
	17000021	996530009568	BLK INSIDE COVER FRON.PANEL V2 S/S.MYB9H <b>FROM S/N.9009SA40298917</b>		65	17000045	996530009578	BLK PRESENCE CARAFE MICRO INSERT V2 MYB9	
39	129912521	996530013148	SCREW TCBR TORX 10 3,5X14 PLAST.SS		66	12000895	996530007951	SCREW TSP TORX 10 3X10 PLAST.SS	
40	11014218	996530007043	BLACK COVER BUTTON FOR DOOR RELEASE MYB9		67	11013127	996530006641	2POLES CONNECT.SENSOR REED DOOR MYB9 UL	
41	11021747	996530007128	SPRING FOR DOOR RELEASE BUTTON MYB9						
42	128310402	996530012341	GALV.WASHER UNI 8842 A4						
43	11023393	996530007625	CHROM.ZAMA FRONT FRAME V2 MYB9 <b>FROM S/N.9009SA40298917</b>						
44	17000006	996530009559	TWO WAY TEFLON TUBES SUPPORT SPRING MYB9 <b>FROM S/N.9009SA40298917</b>						
45	11023352	996530066675	WHT PREFORM.TEFLON TUBES SUPP.MYB9 ASSY. <b>FROM S/N.9009SA40298917</b>						
46	11023251	996530007606	BLACK FRONTAL PANEL INSERT MYB9 <b>FROM S/N.9009SA40298917</b>						
47	11023423	996530066676	BLK CARAFFE BOARD SUPP.GEN.V2 MYB9 ASSY. <b>FROM S/N.9009SA40298917</b>						
48	12001330	996530008026	TRANSP.ROUND ADHESIVE FOOT SJ-5382						
49	17000055	996530072431	GALVAN/STEEL FOLK SPRING W/FASTON <b>FROM S/N. 9010SA40036481</b>						
50	11006740	996530003793	BRONZE SPRING FOR FRONT CASING G0053 <b>FROM S/N. 9010SA40036481</b>						
51	17001306	996530070328	BLACK FINGER PRINT COVER V2 MYB9/T	ID					
52			<b>PARTICULAR NOT AVAILABLE</b>	ID (SEE PART.N°59)					
53	17000074	996530066729	BLK LOWER FINGERPRINT SENS.SEALV2 MYB9/T	ID					
54	11013309	996530006739	BLACK FINGER PRINT SUPPORT MYB9/T	ID					
55	129913702	996530013162	SCREW TCB TORX10 2,5X8 PLAST.ZN-B						
56	17001078	996530070329	BLACK V3 FINGERPRINT SENSOR SEAL MYB9/T	ID					
57			<b>PARTICULAR NOT AVAILABLE</b>	ID (SEE PART.N°59)					
58	17000022	996530009569	BLK INSIDE COVER FRON.PANEL V2 S/S.MYB9T	ID					
59	20006871	996530066745	KIT SPARES FINGERPRINT SENSOR MYB9/T WITH PART. N°31-51-52-53-54-55-56-57	ID					
60	11023238	996530007602	AS.SUPP.SCHEDA CARAF.V4 MYB9 NER.						
61	11013368	996530006754	MILKCARAFFE BOARD V2 MYB9						
62	17000002	996530009555	BLACK CARAFE MICRO INSERT V2 MYB9						
63	17000019	996530009566	SS CARAFE MICRO INSERT SPRING MYB9						



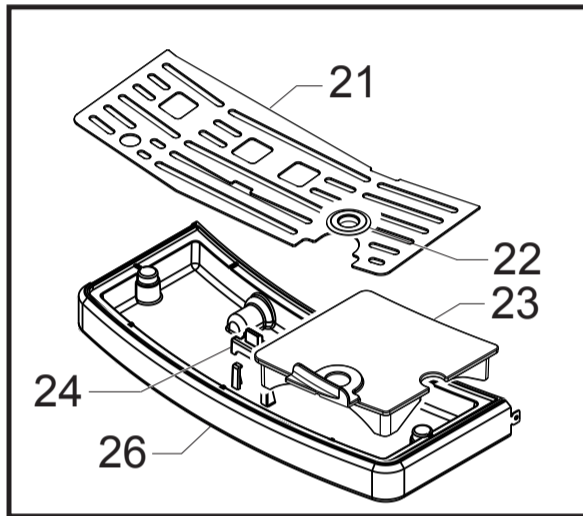
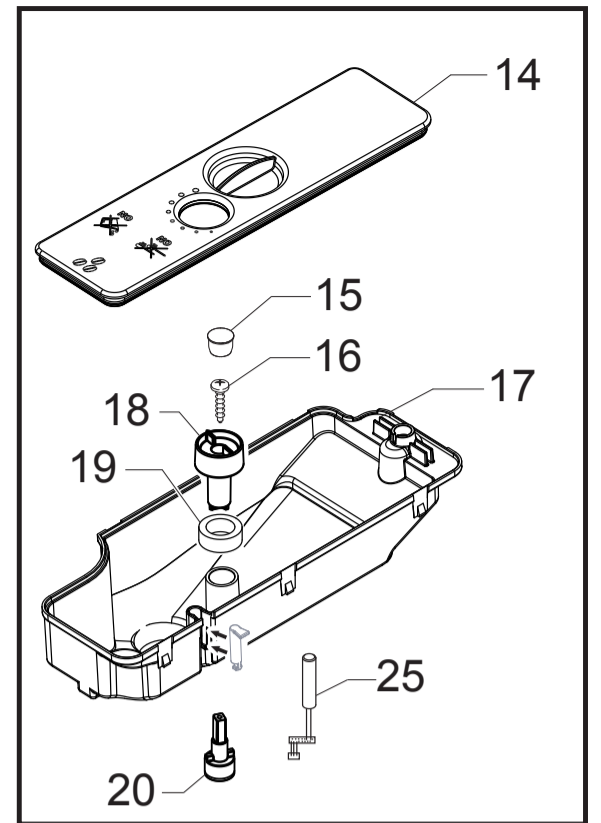
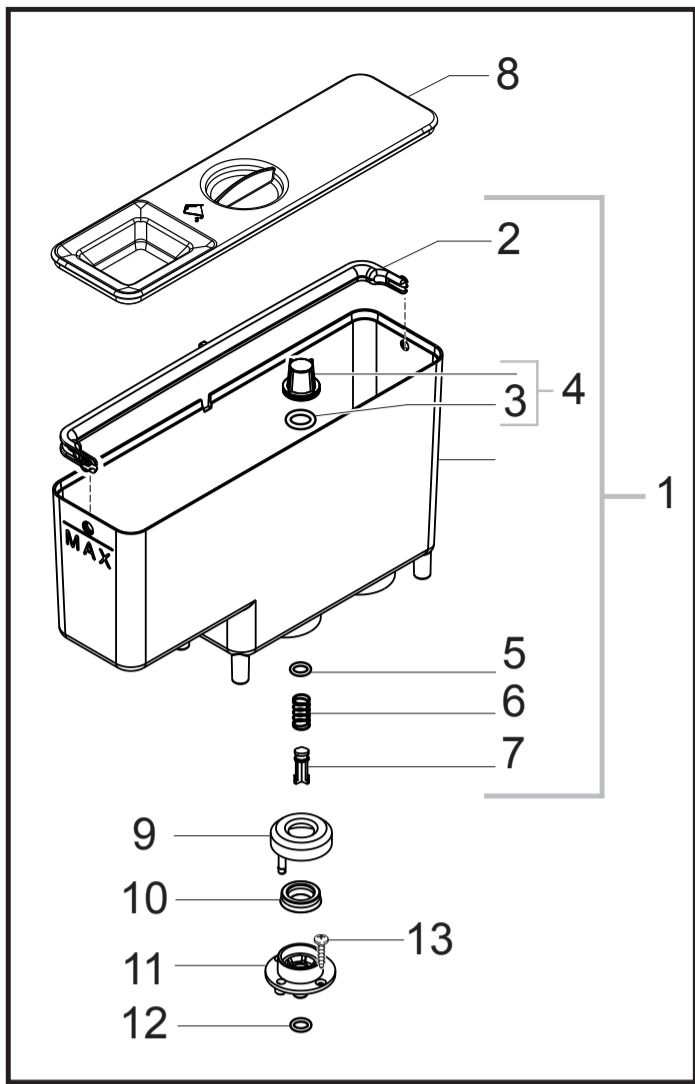
**Saeco** SUP038  
INTERNATIONAL GROUP SUP038Z

RI9943/11-21-41-43  
RI9944/01-04-41-43  
RI9946/01-47



Cod.10003050-51-52-53-3250-51-52  
Cod.10003278-79-3314-3450-70-71  
Cod.10003501-3663-3730-31-32-33

POS	CODE	12NC	DESCRIPTION	NOTE	POS	CODE	12NC	DESCRIPTION	NOTE
01	11027228	996530070234	CHROM.COFFEE DISPENSER V2 MYB9 ASSY. WITH PART. N° 02 - 03 - 04 - 05 - 06 - 07						
02	129570721	996530012907	SCREW TCB TORX 10 M3X8 AUTOFORMING SS						
03	11013001	996530006579	BLACK REAR COVER COFFEE DISPENSER MYB9						
04	11013003	996530006582	BLACK COFFEE DISPENSER INNER BODY MYB9						
05	11013085	996530006614	WHITE COFFEE DISPENSER SLIDER MYB9						
06	11013002	996530006581	BLACK COF.DISPENSER EXT.MOBILE PART MYB9						
07	11013222	996530006699	CHROM.FRONT COFFEE DISPENSER COVER MYB9 <b>UP TO S/N TU901121071040</b>						
	11027227	996530070327	CHROM.FRONT COFF.DISPENSER COVER V2 MYB9 <b>FROM S/N TU901121071041</b>						
08	11022128	996530007237	CHROM.CREAM ADJUSTMENT KNOB S/SCR.MYB9						
09	126772518	996530011711	SS COFF.CREAM ADJUSTMENT SHAFT SPRING						
10	11013324	996530006743	BLACK CREAM ADJUSTMENT KNOB RING MYB9						
11	140326661	996530013546	OR ORM 0040-20 BLACK EPDM						
12	140640200	996530013621	WHITE COFFEE CREAM ADJUSTMENT SHAFT						
13	11013323	996530006742	CHROM.COFFEE DISPENSER SUPPORT MYB9						
14	12000897	996530007953	SCREW TCB TORX 10 3,5X20 PLAST.SS						
15	11013072	996530006604	BLACK SEAL FOR COFFEE DISPENSER MYB9						
16	11013013	996530006585	BLACK COFFEE DISPENSER TUBE MYB9						
17	12000070	996530007732	OR ORM 0060-15 SILICONE						
18	12000450	996530007819	SCREW TCB TORX 10 3,5X12 PLAST.ZN-N						
19	149360200	996530018269	SILICONE TUBE 5X8 70SR IN ROLL						
20	11013364	996530006752	BLACK DISPENSER COFF.INLET CONNECT.MYB9						
21	11012926	996530006575	BLACK COFFEE DISPENSER CONNECTOR MYB9						



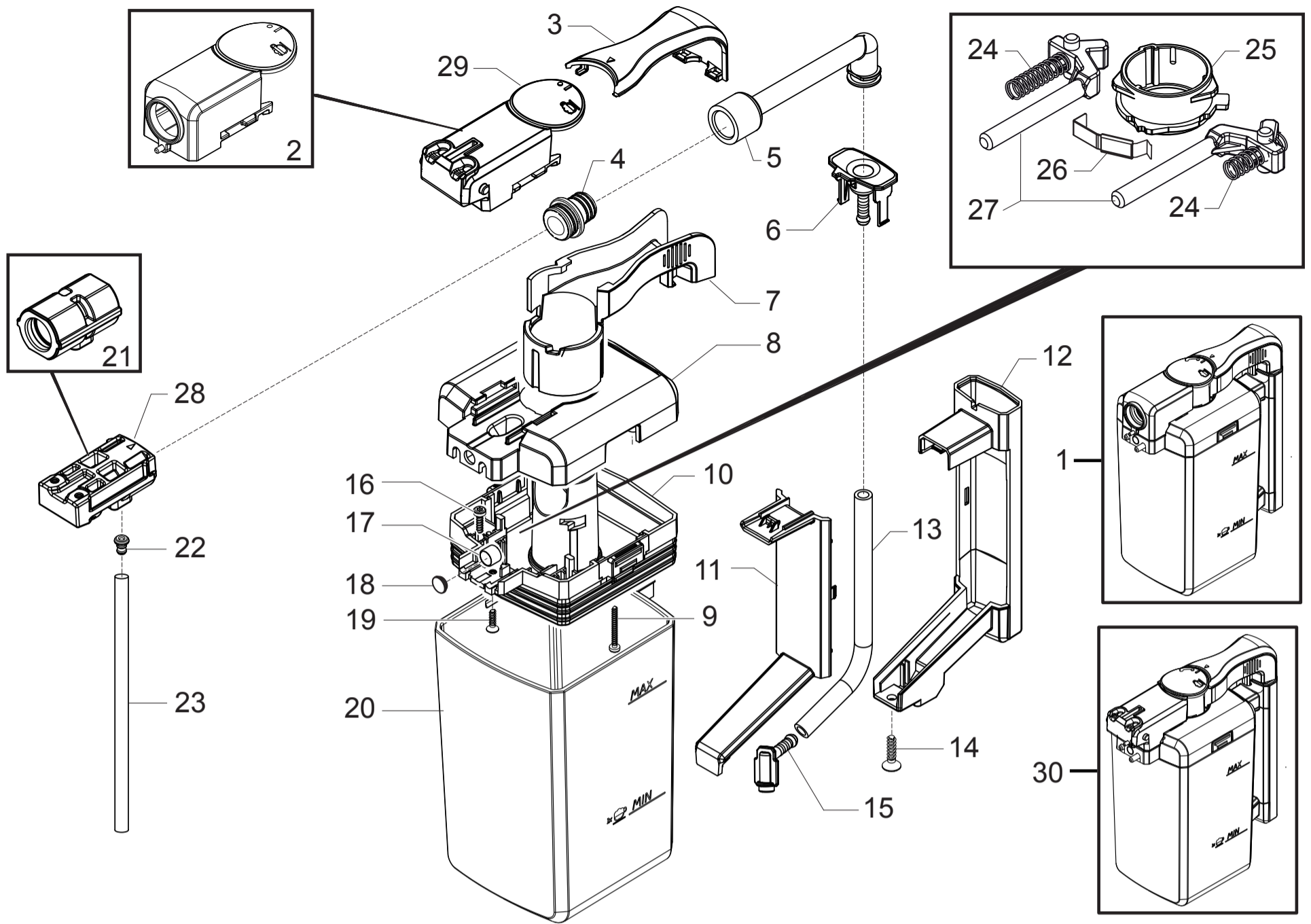
**Saeco** SUP038  
INTERNATIONAL GROUP SUP038Z

RI9943/11-21-41-43  
RI9944/01-04-41-43  
RI9946/01-47



Cod.10003050-51-52-53-3250-51-52  
Cod.10003278-79-3314-3450-70-71  
Cod.10003501-3663-3730-31-32-33

POS	CODE	12NC	DESCRIPTION	NOTE	POS	CODE	12NC	DESCRIPTION	NOTE
01	11013212	996530006692	NAT/GREY WATER CONTAINER MYB9 ASSY.		26	11025971	996530072666	SB/SS-BLACK DRIP TRAY MYB9/H-P ASSY.	
02	11012738	996530006509	BLACK HANDLE WATER CONTAINER LID MYB9					<b>FROM S/N TU901227104141</b>	
03	140328461	996530013571	OR ORM 0190-10 EPDM			11013281	996530006723	BLACK/BLACK DRIP TRAY MYB9/H-P ASSY.	
04	224640200	996530029115	WHITE WATER CONTAINER EXT.FILTER ASSY.			11013300	996530006734	WHITE/BLACK DRIP TRAY MYB9/H-P ASSY.	
05	140324362	996530013507	OR ORM 0060-30 SILICONE			11022389	996530007348	SM/SS-BLACK DRIP TRAY MYB9/T ASSY.	ID
06	126764718	996530011626	SS WATER CONTAINER VALVE SPRING						
07	147660562	996530016894	GREY PISTON FOR WATER CONTAINER VALVE						
08	11012736	996530006507	NAT/GREY WATER CONTAINER LID MYB9						
09	0701.031.150	996530044417	GREY WATER VALVE GACO DIM 14 SEAL COVER						
10	145842900	996530015823	NBR WATER CONT.VALVE GACO DIM14 SEAL						
11	0701.014.150	996530044404	GREY WATER VALVE GACO DIM 14 SEAL CONT.						
12	140320461	996530013446	OR ORM 0080-20 TERMOIL						
13	129535721	996530012898	SCREW TSP TORX 10 AB 3,5X9,5 SHEET SS						
14	20006842	996530066742	SPARES KIT BEAN COFFEE CONT.LID V2 MYB9						
	17000202	996530066734	NAT/GREY BEAN COFF. CONT.LID V2 MYB9 ASSY						
			<b>UP TO S/N.9010SA40120165</b>						
			<b>FROM S/N.9010SA40120166</b>						
15	149213059	996530018116	GREY CAP FOR KNOBS BEAN CONTAINER						
16	129913902	996530013164	SCREW TCB TORX 10 3X12 PLAST.ZN-B						
17	20006843	996530066743	SPARES KIT BEAN COFFEE CONTAINER V2 MYB9						
	17000194	996530066733	BLACK BEAN CONTAINER V2 MYB9						
			<b>UP TO S/N.9010SA40120165</b>						
			<b>FROM S/N.9010SA40120166</b>						
18	11012852	996530006551	BLACK GRIND.ADJUSTMENT KNOB MBY9						
19	11022528	996530007398	GREY GRIND.ADJUSTMENT KNOB WASHER MYB9						
20	145897300	996530016123	BLK INSERT GRIND.ADJUSTMENT KNOB SMART1						
21	11022803	996530007445	SS DRIP TRAY GRATE V2 MYB9/H-P						
	11022385	996530007345	SS DRIP TRAY GRATE MYB9/T	ID					
22	17000147	996530066732	BLACK GRATE SEAL V3 MYB9/H-P						
23	11022802	996530007444	BLACK DRIP TRAY COVER V2 MYB9/H-P						
	11022384	996530007344	BLACK DRIP TRAY COVER MYB9/T	ID					
24	11005388	996530002866	RED FLOAT FOR DRIP TRAY P124						
	17000001	996530009554	RED FLOAT FOR DRIP TRAY MDS	ID					
25	17800061	996530066741	5POLES CONNECTOR MC SENSORS V2 MYB9 UL						
26	11013214	996530006693	SB/SS-BLACK DRIP TRAY MYB9/H-P ASSY.						
			<b>UP TO S/N. TU901227104140</b>						



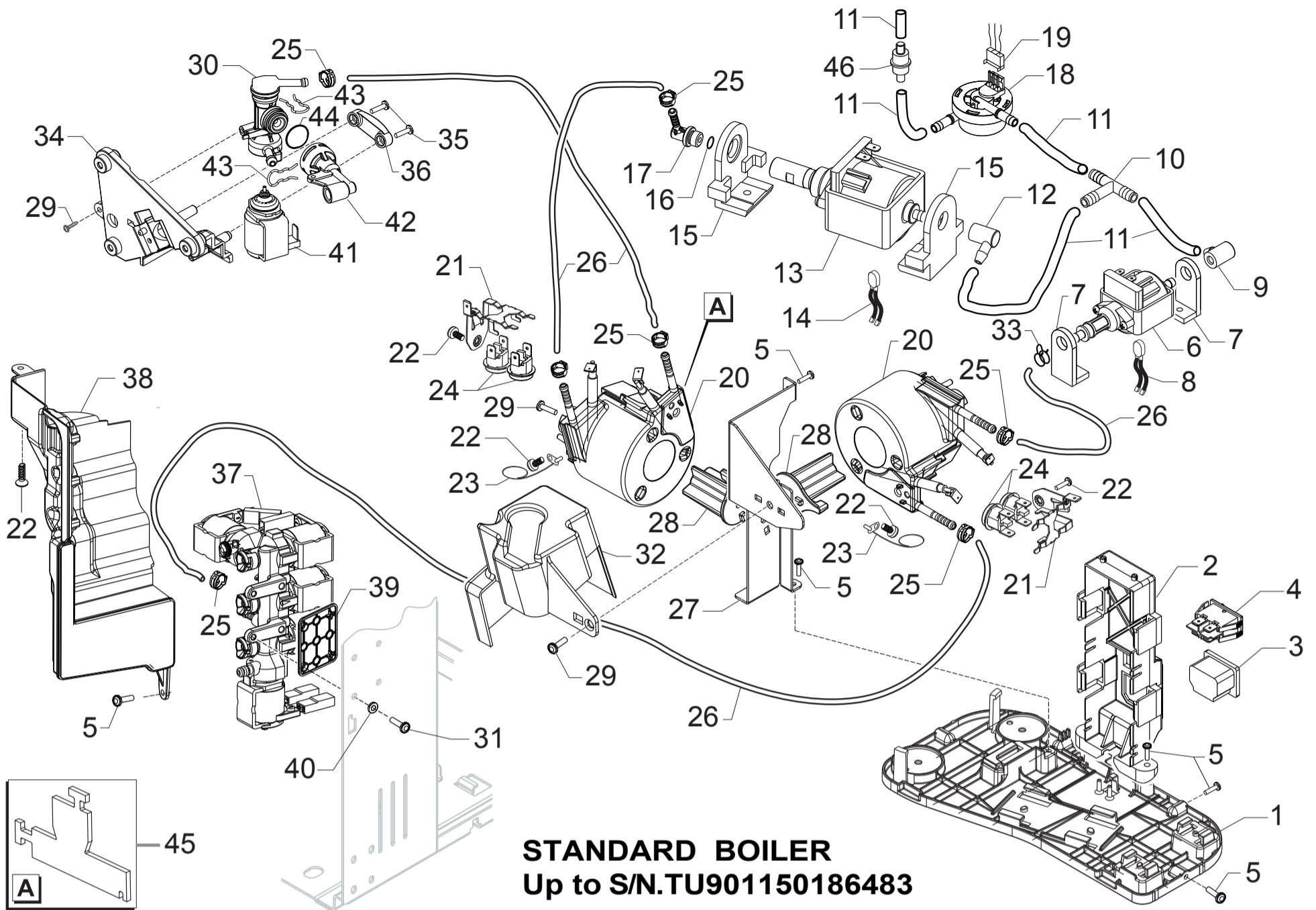
**Saeco** SUP038  
INTERNATIONAL GROUP SUP038Z

RI9943/11-21-41-43  
RI9944/01-04-41-43  
RI9946/01-47



Cod.10003050-51-52-53-3250-51-52  
Cod.10003278-79-3314-3450-70-71  
Cod.10003501-3663-3730-31-32-33

POS	CODE	12NC	DESCRIPTION	NOTE	POS	CODE	12NC	DESCRIPTION	NOTE
01	11012845	996530006545	TRANSP/CHROM.GEN.CARAFE MYB9 SAE ASSY. <b>UP TO S/N.9009SA40298916</b>						
02	11021984	996530007208	CHROM.CARAFE CAPP.COVER S/SC.MYB9 ASSY. <b>UP TO S/N.9009SA40298916</b>						
03	11022498	996530007389	CHR.CARAFE UPPER DISPEN.SUPP.V2 S/S.MYB9						
04	11012812	996530006527	VENTURI TUBE FOR CAPPUCINATORE MYB9						
05	11012678	996530006463	BLACK CARAFE MILK DISPENSER TUBE MYB9						
06	11013163	996530006668	BLACK UPPER TUBE CARAFE CONNECT.MYB9						
07	11022496	996530007388	CHRO.CARAFE LOWER DISPENSER SUPP.V2 MYB9						
08	11012816	996530006531	BLACK UPPER COVER PART CARAFE MYB9						
09	12000550	996530007838	SCREW TCB TORX 10 3X25 PLAST.SS						
10	11021893	996530007192	BLACK LOWER COVER PART CARAFE MYB9 ASSY.						
11	11013466	996530006784	CHROM.CARAFE REAR PART HANDLE MYB9						
12	11023158	996530007588	CHROM.CARAFE FRONT PART HANDLE V2 MYB9						
13	149360200	996530018269	SILICONE TUBE 5X8 70SR	IN ROLL					
14	129911721	996530013137	SCREW TSP TORX 4X16 PLAST STEEL						
15	11013164	996530006669	BLACK LOWER TUBE CARAFE CONNECT.MYB9						
16	129910921	996530013128	SCREW TCB TORX 10 3X10 SS						
17	9161.111	996530050555	MAGNET FOR FLOAT SUPERAUT.						
18	11014016	996530006968	SS.INSERT FOR MAGNET MYB9						
19	12000895	996530007951	SCREW TSP TORX 10 3X10 PLAST.SS						
20	11024104	996530007705	TRANSP.CARAFE V3 S/SCREEN MYB9						
21	11012677	996530006462	BLACK CARAFE CAPPUCINATORE CASING MYB9 <b>UP TO S/N.9009SA40298916</b>						
22	11026779	996530067887	WHITE MILK TUBE CONNECTOR V2 MYB9						
23	11012814	996530067584	SILICONE TUBE 3,5X6 L=140 MM						
24	11013765	996530006849	STEEL SPRING FOR CARAFE LEVER MYB9						
25	11022522	996530007393	BLACK CAM FOR CARAFE LEVERS V2 MYB9						
26	11013832	996530006873	CARAFE SPRING WITH INSERT MYB9 ASSY.						
27	17000131	996530067459	BLACK LEVER FOR CARAFE CAM V3 MYB9						
28	17000004	996530009557	BLK CARAFE CAPPUCIN.CASING W/CAPS MYB9 <b>FROM S/N.9009SA40298917</b>						
29	11023235	996530007599	CHR.CARAFE CAPP.COVER V2 S/SC.MYB9 ASSY. <b>FROM S/N.9009SA40298917</b>						
30	11023236	996530007601	TRANSP/CHROM.GEN.CARAFE V3 MYB9 SAE ASSY <b>FROM S/N.9009SA40298917</b>						
	11023077	996530067527	TRANSP/CHROM.GEN.CARAFE MYB9/MDS ASSY.	ONLY BRASIL					



**STANDARD BOILER**  
Up to S/N.TU901150186483

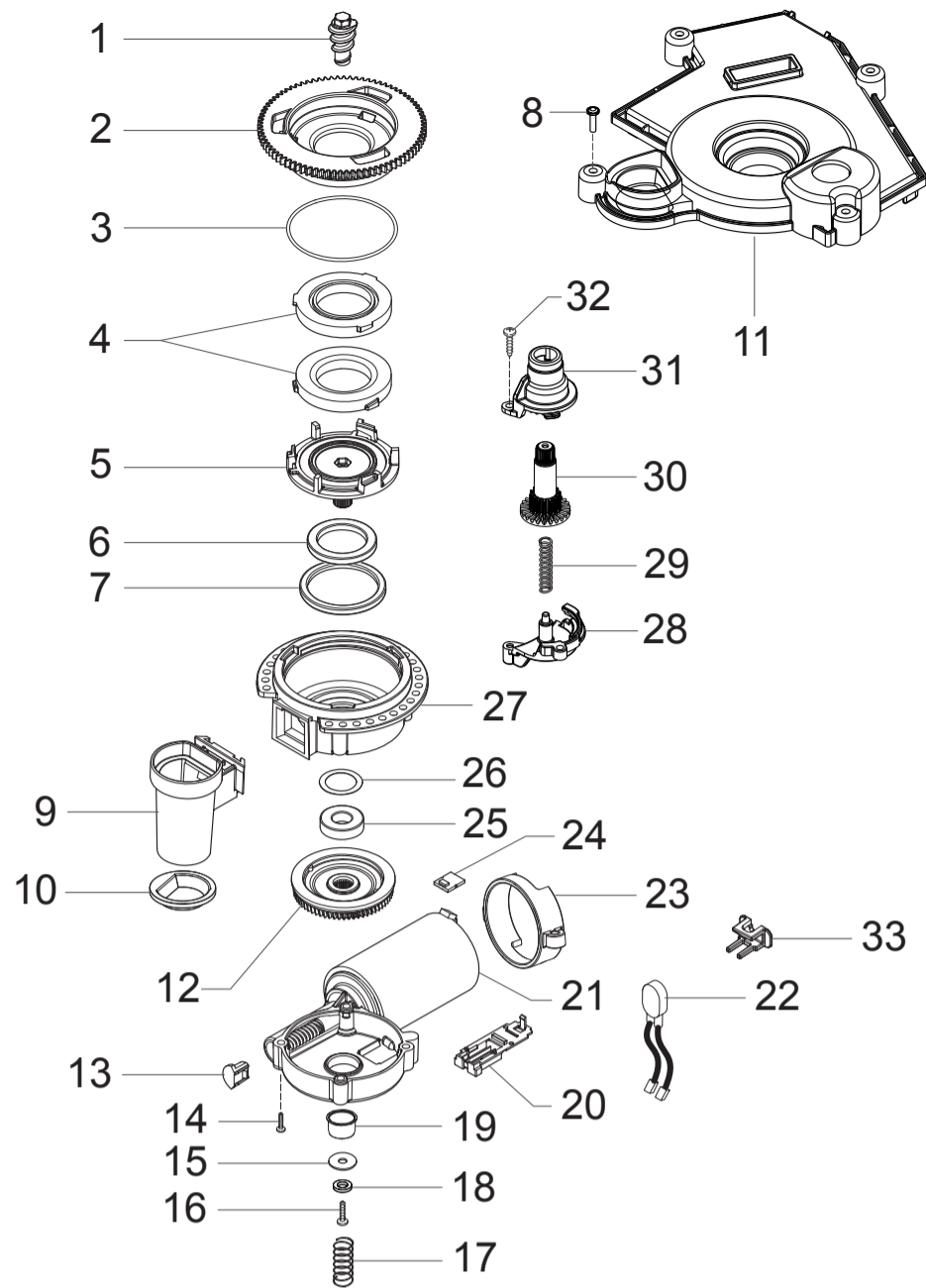
**Saeco** SUP038  
INTERNATIONAL GROUP SUP038Z

RI9943/11-21-41-43  
RI9944/01-04-41-43  
RI9946/01-47



Cod.10003050-51-52-53-3250-51-52  
Cod.10003278-79-3314-3450-70-71  
Cod.10003501-3663-3730-31-32-33

POS	CODE	12NC	DESCRIPTION	NOTE	POS	CODE	12NC	DESCRIPTION	NOTE
01	11012205	996530006316	BLACK COMPONENTS SUPPORT MYB9		26	16000380	996530009505	5X8,9 SILICONE TUBE IN ROLL	IN ROLL
02	11012412	996530006399	BLACK SOCKET-SWITCH SUPPORT MYB9		27	11013034	996530006589	STEEL TUB.BOILER SUPPORT MYB9	
	11023406	996530007626	BLACK SOCKET-SWITCH SUPPORT MYB9 UL		28	11012214	996530006322	BLACK TUB.BOILERS SUPPORT MYB9	
03	12001645	996530069782	CUP SOCKET V2 EN 60320 C 13		29	12001280	996530008024	SCREW TSP TORX 10 5X20 PLAST.ZN-B	
04	NE03.038	996530058836	BIPOLAR SWITCH FUSIT C1250AR		30	20006558	996530010201	BLOWDOWN VALVE CASING MYB9 ASSY.	
05	12000450	996530007819	SCREW TCBR TORX 10 3,5X12 PLAST.ZN-N		31	129914302	996530013168	SCREW TORX M4X10 TESTA D=8X1,5 GALV	
06	12001212	996530008003	ULKA PUMP MF 230V-50HZ	230V-50HZ	32	11022428	996530007366	BLK COF.BOILER INSULATING COVER MYB9/H-T	
	12001346	996530008028	ULKA PUMP MF 120V-60HZ	120V-60HZ	33	184320200	996530025907	SPRING HOSE CLAMP D=9,5MM	
	12001348	996530008031	ULKA PUMP MF 220V-50/60HZ	220V-50/60HZ	34	11012206	996530006317	BLACK BLOWDOWN VALVE SUPPORT MYB9	
	12001347	996530008029	ULKA PUMP MF 100V-50/60HZ	100V-50/60HZ	35	129913902	996530013164	SCREW TCB TORX 10 3X12 PLAST.ZN-B	
07	11012194	996530006315	BLACK/SBR ULKA MF PUMP SUPPORT		36	11013711	996530006834	BLACK VALVE FIXING FLANGE MYB9	
08	11013116	996530006631	2POLES CONNECTOR STEAM PUMP MYB9 UL		37	11013165	996530006671	DIFFUSER VALVE MYB9 ASSY.	
09	11012193	996530006314	90° INLET CONNECTOR FOR PUMP ULKA MF		38	11013528	996530006802	BLACK DIFFUSER PROTECT.VALVE MYB9 ASSY.	
10	147920300	996530017351	TRANS.CONNECTOR D=8 ART.80.26.047 KA.461		39	11021841	996530007157	SOLENOID VALVE CONNECT.INSUL.PLATE MYB9	
11	JS01.022	996530057357	SILICONE TUBE 5X10 60SH IN ROLL	IN ROLL	40	11021842	996530007158	SOLENOID VALVE CONNECT.INSUL.WASHER MYB9	
12	147920150	996530017348	90° INLET PUMP CONNECTOR		41	20000590	996530009859	BLOWDOWN VALVE COIL P0049 230V ASSY.	230V
13	12000140	996530007753	ULKA PUMP EP5/S GW 230V-50HZ	230V-50HZ		20000680	996530009874	BLOWDOWN VALVE COIL P0049 120V ASSY.	120V
	12000142	996530007754	ULKA PUMP EAP5/S 120V-60HZ	120V-60HZ		20000920	996530009914	BLOWDOWN VALVE COIL P0049 220V-60HZ ASSY	220V-60HZ
	12000182	996530007782	ULKA PUMP EP5/S GW 220V-60HZ	220V-60HZ		20000681	996530009875	BLOWDOWN VALVE COIL P0049 100V ASSY.	100V
	12000130	996530007749	ULKA PUMP EP5/S GW 100V-50/60HZ	100V-50/60HZ	42	11007565	996530004421	BLACK BLOWDOWN VALVE CONNECTOR V2 P0049	
14	11013076	996530006607	2POLES CONNECTOR COFFEE PUMP MYB9 UL		43	11005096	996530002744	SS FORK SPRING FOR BLOWDOWN VALVE P0049	
15	11022857	996530007468	BLACK PUMP SUPPORT GMYB		44	12000620	996530007856	OR ORM 0130-20 EPDM	
16	140321961	996530013471	O-RING 2031 TERMOIL		45	11021450	996530007104	TUB.BOILER STD C1 INSULATING	
17	11001054	996530000624	BLK PUMP OUTLET 90°CONNECTOR P0049/B		46	144650300	996530015428	ASPIRATION FILTER GAUZE NET 500 (NEW)	
18	12000781	996530007887	TURBINE D=1,2 932-8521/90 ASSY.			11006995	996530003974	BLOWDOWN VALVE V2 MYB9 230V ASSY.	230V
19	11013122	996530006635	6POLES CONNECTOR FLOWMETER MYB9 UL			11022038	996530007215	BLOWDOWN VALVE V2 MYB9 120V ASSY.	120V
20	11011341	996530006025	V4 TUB.BOILER 1300W 230V ASSY.	230V-1300W		11021989	996530007212	BLOWDOWN VALVE V2 MYB9 220V-60HZ ASSY.	220V-60HZ
	11011342	996530006026	V4 TUB.BOILER 1300W 120V ASSY.	120V-1300W		11022037	996530066669	BLOWDOWN VALVE V2 MYB9 100V ASSY.	100V
	11011346	996530006031	V4 TUB.BOILER 1100W 100V ASSY.	100V -1100W		11009776	996530005509	TUB.BOILER STD C1 1300W 230V ASSY.	
21	11007907	996530004626	TUB.BOILER V5 SIDE THERMOS.FIXING SPRING UP TO S/N.9009SA40265657			11009778	996530005511	TUB.BOILER STD C1 1300W 120V ASSY.	
	11010164	996530005641	TUB.BOILER V6 SIDE THERMOS.FIXING SPRING FROM S/N.9009SA40265658			11012032	996530066667	TUB.BOILER STD C1 1100W 100V ASS	
22	12001715	996530069758	SCREW TCB TORX 20 M4X8 AUTOFORMING ZN-B						
23	190800100	996530026997	TEMPERATURE SENSOR NTC UL L=280MM						
24	189428600	996530026958	THERMOSTAT 175° 1NT-08L-5125 UP TO S/N.9009SA40265657						
	12001034	996530007974	THERMOSTAT ONE SHOT 175° FROM S/N.9009SA40265658						
25	12000892	996530007947	OETIKER CLAMP D=9,5 16700004						



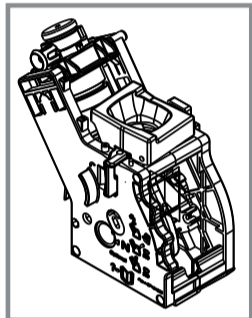
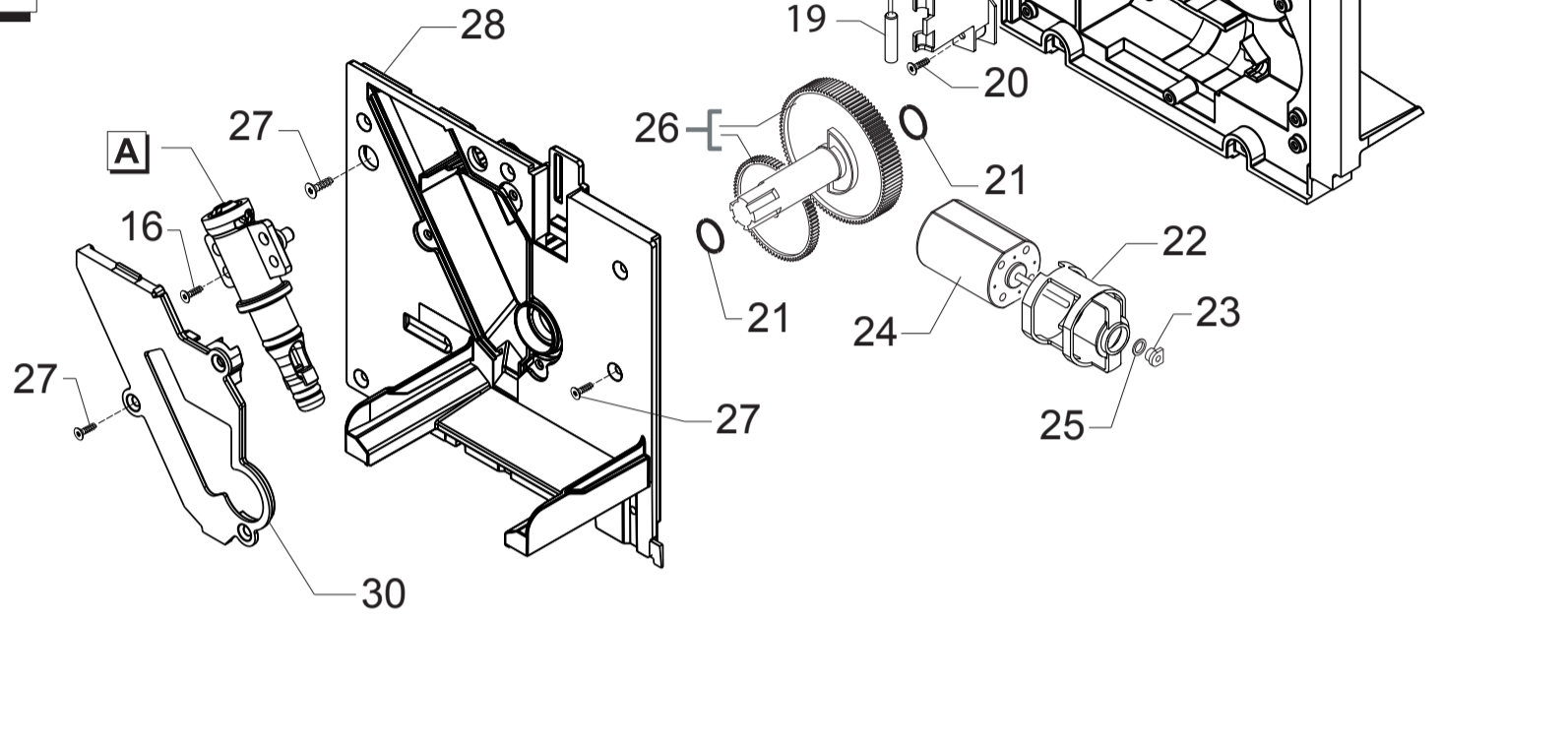
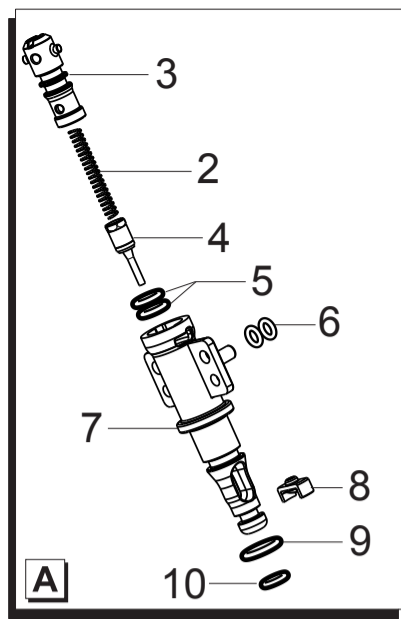
**Saeco** SUP038  
INTERNATIONAL GROUP SUP038Z

RI9943/11-21-41-43  
RI9944/01-04-41-43  
RI9946/01-47



Cod.10003050-51-52-53-3250-51-52  
Cod.10003278-79-3314-3450-70-71  
Cod.10003501-3663-3730-31-32-33

POS	CODE	12NC	DESCRIPTION	NOTE	POS	CODE	12NC	DESCRIPTION	NOTE
01	11011205	996530005991	TEA ZAMA INCREASE SCREW GRINDER						
02	149198250	996530017951	BLK UPPER COFFEEGRINDER GRINDER SUPPORT						
03	140328960	996530013577	OR ORM 0530-15 NBR FDA						
04	146520100	996530016342	BAKED CLAY GRINDER 48X28						
05	149198350	996530017952	BLK LOWER COFFEEGRINDER GRINDER SUPPORT						
06	123030300	996530011183	AXIAL BEARING EKKO 342.35252						
07	140360500	996530013597	FELT RING 45,4X39,4X4						
08	12000450	996530007819	SCREW TCB TORX 10 3,5X12 PLAST.ZN-N						
09	11026355	996530068049	BLK GROUND COFF.OUTLET CONVEYOR V4 ASSY.						
10	11030459	996530072511	GRY GROUND COFFEE CONT.LOWER SEAL SMART1						
11	11012856	996530006555	COFFEE GRINDER SOUNDPROOFING COVER MYB9						
12	226000300	996530029609	GEAR SX Z=38 FOR GRINDER MOTION ASSY.						
13	149214800	996530018139	MC V3 MOD=1,25 WORM SCREW CENTRING CAP						
14	129661702	996530012992	SCREW TCB TORX 3,5X30 PLAST.ZN-B						
15	128381902	996530012375	STEEL FLAT WASHER DI=4,3 DE=14 SP=1,5						
16	129574802	996530012928	SCREW TCB TORX 20 M4X30 ZN-B						
17	11000597	996530000376	COFFEE GRINDER SUPPORT SPRING P124						
18	128310402	996530012341	GALV.WASHER UNI 8842 A4						
19	11002873	996530001389	INSULATOR BUSH FOR GRINDER MOTOR P124						
20	149199050	996530017963	BLK SENSOR SUPPORT FOR COF.GRINDER MOTOR						
	11000513	996530000317	MOTOR COFFEEGRINDER V3.1 230V ASSY.	230V					
	11000511	996530000315	MOTOR COFFEEGRINDER V3.1 120V ASSY.	120V					
	11000512	996530000316	MOTOR COFFEEGRINDER V3.1 100V ASSY.	100V					
22	11013079	996530006611	2POLES CONNECTOR GRINDER MOTOR MYB9 UL						
23	11000194	996530000115	BLACK COFFEEGRINDER MOTOR SUPPORT P124						
24	181540900	996530022784	ELECTR.BOARD WITH SENSOR HAL506 SF-K						
25	123030200	996530011182	RADIAL BEARING 61900.2RS1						
26	128381800	996530012374	STEEL CRINKLE WASHER 21,8X14X0,25						
27	142905450	996530015258	BLK UPPER BODY WITH COFFEE GROUND OUTLET						
28	149199850	996530017976	LOWER GEAR SUPPORT COFFEEGRINDER SMART						
29	126772918	996530011715	SPRING FOR ADJUSTMENT GRINDING GEAR						
30	146002150	996530016264	COFFEE GRINDING ADJUSTMENT GEAR SMART						
31	149199750	996530017975	UPPER GEAR SUPPORT COFFEEGRINDER SMART						
32	129914002	996530013165	SCREW TCB TORX 10 3,5X16 PLAST.ZN-B						
33	17001921	996530072477	BLK WIRING FIX INSERT FOR GRINDER BOARD						
	11013147	996530006652	GEN.MOTOR COFFEE GRINDER MYB9 230V ASSY.	230V					
	11022036	996530007214	GEN.MOTOR COFFEE GRINDER MYB9 120V ASSY.	120V					
	11022035	996530066668	GENERAL MOTOR MC MYB9 100V ASSY.	100V					



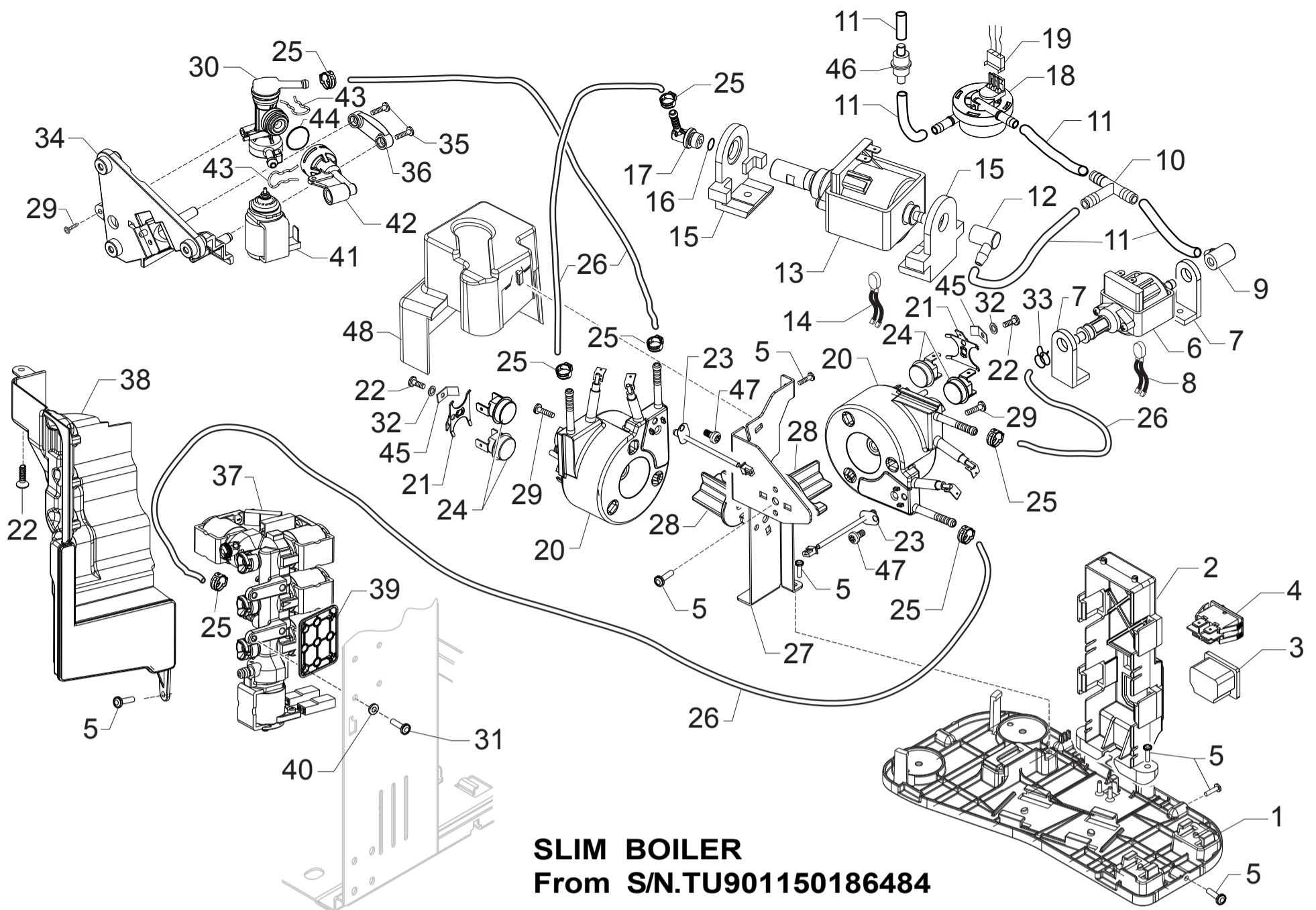
**Saeco** SUP038  
INTERNATIONAL GROUP SUP038Z

RI9943/11-21-41-43  
RI9944/01-04-41-43  
RI9946/01-47



Cod.10003050-51-52-53-3250-51-52  
Cod.10003278-79-3314-3450-70-71  
Cod.10003501-3663-3730-31-32-33

POS	CODE	12NC	DESCRIPTION	NOTE	POS	CODE	12NC	DESCRIPTION	NOTE
01	11005060	996530002717	PIN V2 FOR BOILER P119 ASSY.						
02	9011.132	996530048874	SS SPRING FOR PIN						
03	11003820	996530001932	BLACK CAP V2 FOR PIN BOILER P119						
04	11009019	996530005183	TEA/BRASS PISTON L=20,9 ASSY.						
05	140324459	996530013508	OR ORM 0060-20 SILICONE PTFE/FDA						
06	140328059	996530013564	OR 2015 SILICONE PTFE/FDA						
07	11003801	996530001926	NAT.PIN V2 FOR BOILER P119						
08	11005099	996530002747	NATURAL CURSOR V2 FOR BOILER P119						
09	NM01.035	996530059399	OR ORM 0090-20 SILICONE						
10	NM01.057	996530059419	OR ORM 0050-20 IN SILICONE						
11	11012337	996530006375	WATER DRAIN CONNECTOR MYB9						
12	NV99.087	996530059836	BAND D=11/11,6						
13	11013514	996530006796	BLACK MOUNTING PLATE COVER SEAL MYB9						
14	NE05.038	996530058869	MICROSWITCH SAIA XCG5-81-P5						
15	11030108	996530072933	BLK MOUNTING PLATE WITH PIN V2 P119 ASSY						
16	12000450	996530007819	SCREW TCB TORX 10 3,5X12 PLAST.ZN-N						
17	140325462	996530013526	OR ORM 0070-20 SILICONE						
18	11012976	996530006577	BLACK SENSOR SUPPORT MYB9 <b>UP TO S/N TU901236137717</b>						
19	17800232	996530072942	REED SENSOR MK3-1A66-BV16453						
20	129913902	996530013164	SCREW TCB TORX 10 3X12 PLAST.ZN-B <b>UP TO S/N TU901236137717</b>						
21	9161.132	996530050569	MYLAR WASHER FOR RATIOMOTOR						
22	9121.044	996530049896	ANTIVIBRATION FOR MOTOR						
23	9121.046	996530049898	BRONZE SINTERED BUSH FOR MOTOR RATIOMOT.						
24	11005214	996530002796	MOTOR FOR RATIOMOTOR P124 ASSY.						
25	148380200	996530017424	BAKELIZZATE WASHER D=5,5						
26	20000900	996530009913	SPARES KIT GEARS FOR RATIOMOTOR V2						
27	12001860	996530072411	SCREW TSP TORX 10 3,5X14 PLAST.SS						
28	11013513	996530006795	BLACK MOUNTING PLATE COVER MYB9						
29	JS01.022	996530057357	SILICONE TUBE 5X10 60SH IN ROLL						
30	142856550	996530015064	BLACK COVER FOR BOILER VAIN P119						
31	11012810	996530006525	BLACK BREW UNIT 8GR.SBS MYB9 <b>SEE COD. EXPL. E90071 LAST PAGE</b>						



**SLIM BOILER**  
From S/N.TU901150186484



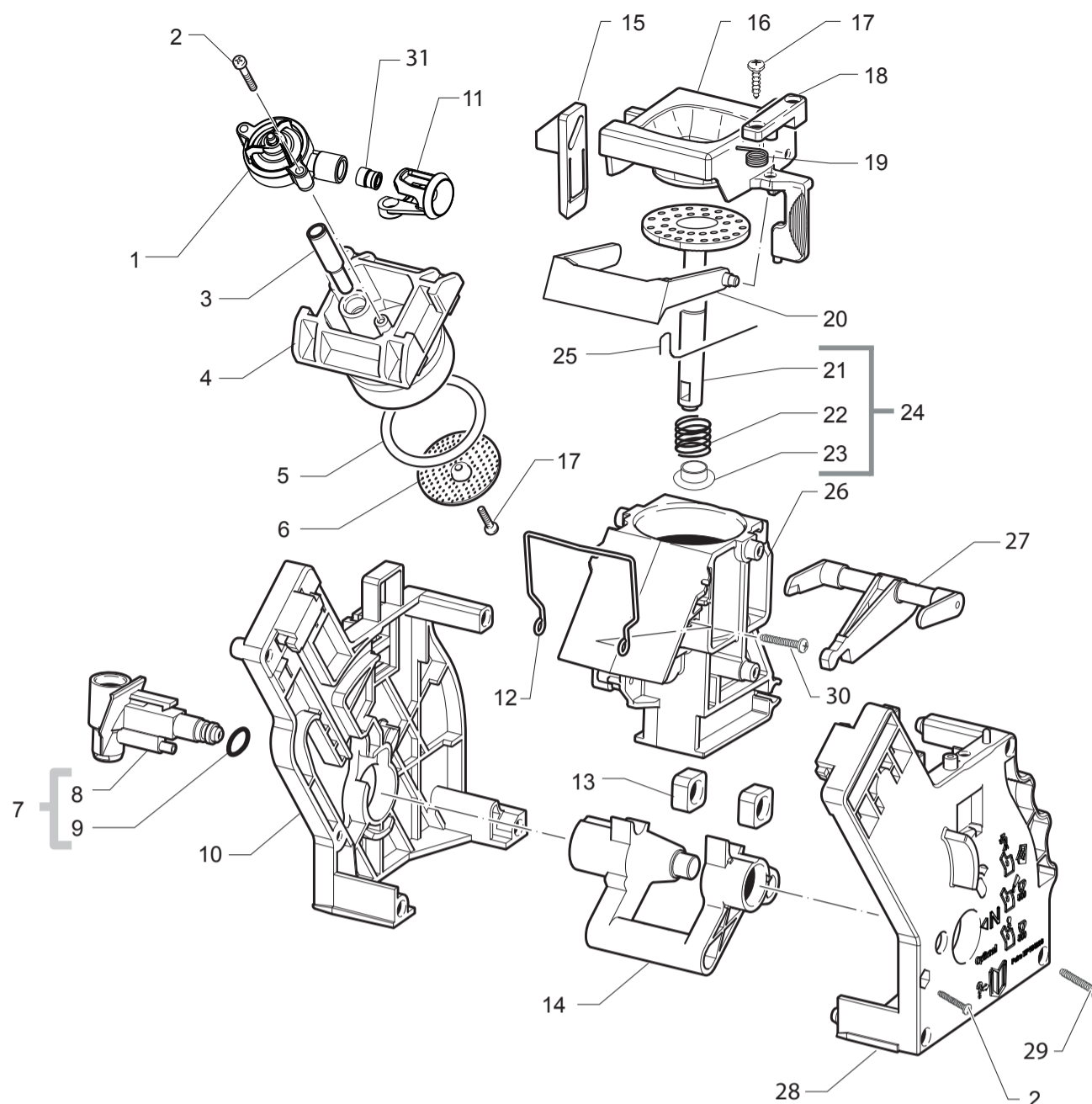
**SUP038**  
**SUP038Z**

RI9943/11-21-41-43  
RI9944/01-04-41-43  
RI9946/01-47



Cod.10003050-51-52-53-3250-51-52  
Cod.10003278-79-3314-3450-70-71  
Cod.10003501-3663-3730-31-32-33

POS	CODE	12NC	DESCRIPTION	NOTE	POS	CODE	12NC	DESCRIPTION	NOTE
01	11012205	996530006316	BLACK COMPONENTS SUPPORT MYB9		33	184320200	996530025907	SPRING HOSE CLAMP D=9,5MM	
02	11023406	996530007626	BLACK SOCKET-SWITCH SUPPORT MYB9 UL		34	11012206	996530006317	BLACK BLOWDOWN VALVE SUPPORT MYB9	
03	12001645	996530069782	CUP SOCKET V2 EN 60320 C 13		35	129913902	996530013164	SCREW TCB TORX 10 3X12 PLAST.ZN-B	
04	NE03.038	996530058836	BIPOLAR SWITCH FUSIT C1250AR		36	11013711	996530006834	BLACK VALVE FIXING FLANGE MYB9	
05	12000450	996530007819	SCREW TCB TORX 10 3,5X12 PLAST.ZN-N		37	11013165	996530006671	DIFFUSER VALVE MYB9 ASSY.	
06	12001212	996530008003	ULKA PUMP MF 230V-50HZ	230V-50HZ	38	11013528	996530006802	BLACK DIFFUSER PROTECT.VALVE MYB9 ASSY.	
	12001346	996530008028	ULKA PUMP MF 120V-60HZ	120V-60HZ	39	11021841	996530007157	SOLENOID VALVE CONNECT.INSUL.PLATE MYB9	
	12001348	996530008031	ULKA PUMP MF 220V-50/60HZ	220V-50/60HZ	40	11021842	996530007158	SOLENOID VALVE CONNECT.INSUL.WASHER MYB9	
07	11012194	996530006315	BLACK/SBR ULKA MF PUMP SUPPORT		41	20000590	996530009859	BLOWDOWN VALVE COIL P0049 230V ASSY.	230V
08	11013116	996530006631	2POLES CONNECTOR STEAM PUMP MYB9 UL			20000680	996530009874	BLOWDOWN VALVE COIL P0049 120V ASSY.	120V
09	11012193	996530006314	90° INLET CONNECTOR FOR PUMP ULKA MF			20000920	996530009914	BLOWDOWN VALVE COIL P0049 220V-60HZ ASSY	220V-60HZ
10	147920300	996530017351	TRANS.CONNECTOR D=8 ART.80.26.047 KA.461		42	11007565	996530004421	BLACK BLOWDOWN VALVE CONNECTOR V2 P0049	
11	JS01.022	996530057357	SILICONE TUBE 5X10 60SH IN ROLL		43	11005096	996530002744	SS FORK SPRING FOR BLOWDOWN VALVE P0049	
12	147920150	996530017348	90° INLET PUMP CONNECTOR		44	12000620	996530007856	OR ORM 0130-20 EPDM	
13	12000140	996530007753	ULKA PUMP EP5/S GW 230V-50HZ	230V-50HZ	45	124390520	996530011326	BRASS BENT FASTON 45° 6,3X0,8	
	12000142	996530007754	ULKA PUMP EAP5/S 120V-60HZ	120V-60HZ	46	144650300	996530015428	ASPIRATION FILTER GAUZE NET 500 (NEW)	
	12000182	996530007782	ULKA PUMP EP5/S GW 220V-60HZ	220V-60HZ	47	12001715	996530069758	SCREW TCB TORX 20 M4X8 AUTOFORMING ZN-B	
14	11013076	996530006607	2POLES CONNECTOR COFFEE PUMP MYB9 UL		48	17000042	996530067913	BLK COFF.BOILER INSULATING COVER MYB9/P	
15	11022857	996530007468	BLACK PUMP SUPPORT GMYB			11006995	996530003974	BLOWDOWN VALVE V2 MYB9 230V ASSY.	230V
16	140321961	996530013471	O-RING 2031 TERMOIL					WITH PART. N°30-41-42-43-44	
17	11001054	996530000624	BLK PUMP OUTLET 90°CONNECTOR P0049/B			11022038	996530007215	BLOWDOWN VALVE V2 MYB9 120V ASSY.	120V
18	12000781	996530007887	TURBINE D=1,2 932-8521/90 ASSY.					WITH PART. N°30-41-42-43-44	
19	11013122	996530006635	6POLES CONNECTOR FLOWMETER MYB9 UL			11021989	996530007212	BLOWDOWN VALVE V2 MYB9 220V-60HZ ASSY.	220V-60HZ
20	11013735	996530006841	SLIM TUB.BOILER 1300W 230V ASSY.	230V-1300W				WITH PART. N°30-41-42-43-44	
	11023153	996530007586	SLIM TUB.BOILER 1300W 120V ASSY.	120V-1300W		11026313	996530067955	SLIM TUB.BOIL.STD C2 T190° 1300W 230V AS	230V-1300W
21	11001751	996530000997	TUB.BOILER V3 UPPER THERM.FIXING SPRING					WITH PART. N°20-21-22-23-24-32-45	
22	129573402	996530012923	SCREW TAPT M4X10 DIN 7985 GALV			11026314	996530069915	SLIM TUB.BOIL.STD C2 T190° 1300W 120V AS	120V-1300W
23	190800100	996530026997	TEMPERATURE SENSOR NTC UL L=280MM					WITH PART. N°20-21-22-23-24-32-45	
24	12001033	996530007973	THERMOSTAT ONE SHOT 190°						
25	12000892	996530007947	OETIKER CLAMP D=9,5 16700004						
26	16000380	996530009505	5X8,9 SILICONE TUBE IN ROLL	IN ROLL					
27	17000143	996530067888	STEEL SLIM TUB.BOILER SUPPORT MYB9						
28	11023282	996530007608	BLACK SLIM TUB.BOILERS SUPPORT MYB9						
29	12001369	996530008039	SCREW TSP TORX 10 5X35 PLAST.SS						
30	20006558	996530010201	BLOWDOWN VALVE CASING MYB9 ASSY.						
31	129914302	996530013168	SCREW TORX M4X10 TESTA D=8X1,5 GALV						
32	128310402	996530012341	GALV.WASHER UNI 8842 A4						



**Saeco**  
INTERNATIONAL GROUP

**SUP038**



**Cod. 11012810**

POS	CODE	12NC	DESCRIPTION	NOTE	POS	CODE	12NC	DESCRIPTION	NOTE
01	11010660	996530005823	SBS VALVE STD ASSY.						
02	12000550	996530007838	SCREW TCB TORX 10 3X25 PLAST.SS						
03	11009276	996530005372	BLK COUNTER PISTON TUBE BREW UNIT S0053						
04	11001840	996530001046	BLACK COUNTER PISTON BREW UNIT 8GR.P124						
05	NM01.044	996530059406	OR ORM 0320-40 SILICONE PTFE/FDA						
06	9161.268	996530050709	PERCOLATOR DE=35,8 ELFO						
07	20000440	996530009825	BLACK WATER INLET SLEEVE BREW UNIT ASSY.						
08	9161.064.050	996530050488	BLACK WATER INLET SLEEVE BREW UNIT ROYAL						
09	NM02.007	996530059441	OR 2025 IN TERMOIL						
10	9161.375.050	996530050832	BLACK BREW UNIT REAR PLATE SMART						
11	145899250	996530016147	BLK COFFEE CONNECTION BREW UNIT P124						
12	11001556	996530000898	SS BREW UNIT SPRING H=49 SMART						
13	9161.094.050	996530050539	BLACK BREW UNIT DRILLED BLOCK						
14	9161.066.050	996530050492	BLACK BREW UNIT ELBOW SHAFT M5000						
15	9161.373.050	996530050827	BLACK BREW UNIT COUPLING PLATE SMART						
16	149261350	996530018241	BLACK HOPPER DOSER BREW UNIT SMART1						
17	12000895	996530007951	SCREW TSP TORX 10 3X10 PLAST.SS						
18	9161.374.050	996530050829	BLK BREWUNIT HOPPER BLOCKING PLATE SMART						
19	9161.378	996530050838	SS HOPPER SPRING FOR BREW UNIT SMART						
20	11004161	996530002096	BLACK SCRAPER FOR BREW UNIT M5000						
21	11003077	996530001451	BLK BREW UNIT INTEGRAL PISTON 8GR.ASSY.						
22	9161.198	996530050627	SS.8GR.BREW UNIT PISTON SPRING						
23	9161.191	996530050618	WHITE 8GR.-12GR.BREW UNIT PISTON BUSH						
24	11023086	996530007577	BLK 8GR.BREW UNIT NTEGR.PISTON GEN.ASSY.						
25	9161.046	996530050455	SS SCRAPER SPRING FOR BREW UNIT						
26	11003075	996530001448	BLACK COFFEE CONTAINER BREW UNIT P124						
27	11003078	996530001452	BLACK CONNECTING ROD BREW UNIT 8GR.						
28	11005920	996530003228	BLACK BREW UNIT FRONT PLATE S/SCR.SMART						
29	12000897	996530007953	SCREW TCB TORX 10 3,5X20 PLAST.SS						
30	129912521	996530013148	SCREW TCB TORX 10 3,5X14 PLAST.SS						
31	145857962	996530016004	BLACK COFFEE CONNECTOR INSERT SEAL P124						
	11012810	996530006525	BLACK BREW UNIT 8GR.SBS MYB9						

**Saeco**  
INTERNATIONAL GROUP

**GRUPPO CAFFE' XELISIS**

TABLE 1/1